



WILDEN®

AIR OPERATED DOUBLE DIAPHRAGM PUMPS

A **DOVER** RESOURCES COMPANY

T4 Metal Pump

FLOW RATE TO 81 GPM (306.6 LPM)
 MAXIMUM OPERATING PRESSURE = 125 PSI (8.6 BAR)

Specifications

WETTED HOUSINGS (Water Chambers and Manifolds)

MATERIAL	SHIP WT.	MATERIAL	SHIP WT.
Aluminum	38 lbs. (17.5 kg.)	Cast Iron	57 lbs. (26.2 kg.)
316 S.S.	57 lbs. (26.2 kg.)	Hastelloy	57 lbs. (26.2 kg.)

NON-WETTED HOUSINGS

DESCRIPTION	MATERIAL
Center Section	Polypropylene or Aluminum

Air Valve Brass, Teflon®-coated Brass, Nickel-plated Brass, or Stainless Steel

MAXIMUM SUCTION LIFT CAPABILITY

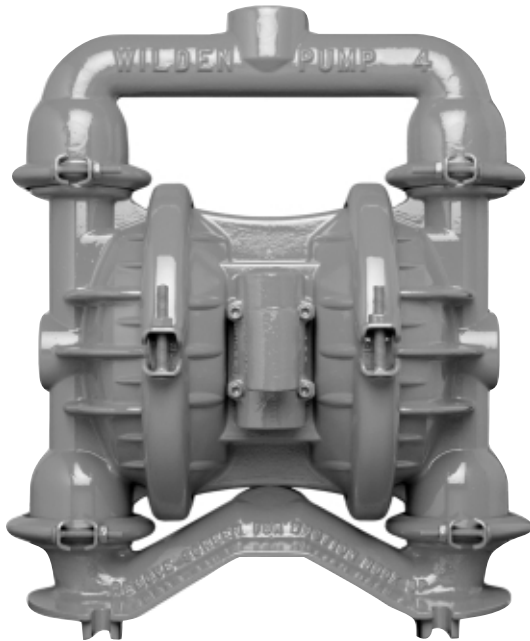
DRY LIFT
 18' (5.5 m)
 The above figure represents the rubber-fitted pump capability.

MAXIMUM DIAMETER SOLIDS

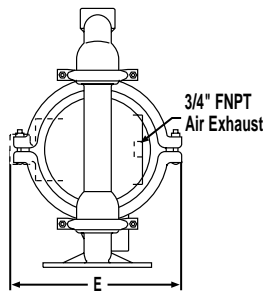
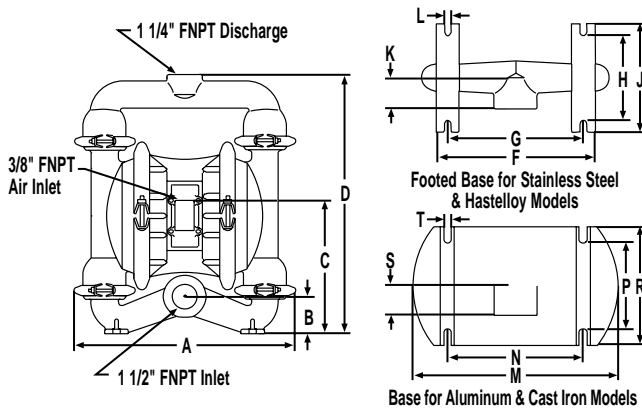
³/₁₆" (4.76 mm) Diameter

ELASTOMER OPTIONS

MATERIAL	TEMPERATURE LIMITS
Polyurethane	+10 (-12.2) to +150 (65.6) F° (C°)
Neoprene	0 (-17.8) to +200 (93.3) F° (C°)
Buna-N®	+10 (-12.2) to +180 (82.2) F° (C°)
Nordel®	-60 (-51.1) to +280 (137.8) F° (C°)
Viton®	-40 (-40.0) to +350 (176.7) F° (C°)
Saniflex™	-20 (-28.9) to +220 (104.4) F° (C°)
Teflon® PTFE	+40 (4.4) to +220 (104.4) F° (C°)
Wil-Flex™	-40 (-40.0) to +225 (107.2) F° (C°)



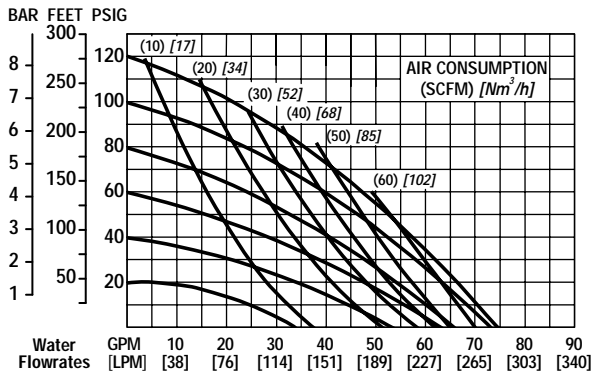
TURBOFLO
 PROGRESSIVE PUMP TECHNOLOGY



BSP threads available for liquid inlet and discharge.
 Refer to the EOM manual for TPE and Ultra-Flex™ performance curves.

DIMENSIONS - T4 METAL		
ITEM	STANDARD (inch)	METRIC (mm)
A	14 17/32	369.1
B	2 15/32	62.7
C	8 27/32	224.6
D	16 7/8	428.6
E	11 5/16	287.4
F	10 5/16	261.9
G	8 3/16	223.8
H	6	152.4
J	7	177.8
K	2	50.8
L	7/16	11.1
M	13 7/32	335.7
N	8 3/4	222.3
P	5 15/16	150.8
R	7 21/32	194.5
S	1 29/32	48.4
T	1/2	12.7

RUBBER-FITTED T4 METAL PUMP



TEFLON®-FITTED T4 METAL PUMP

